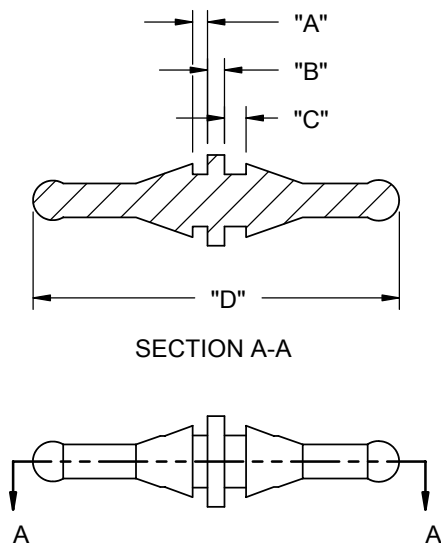
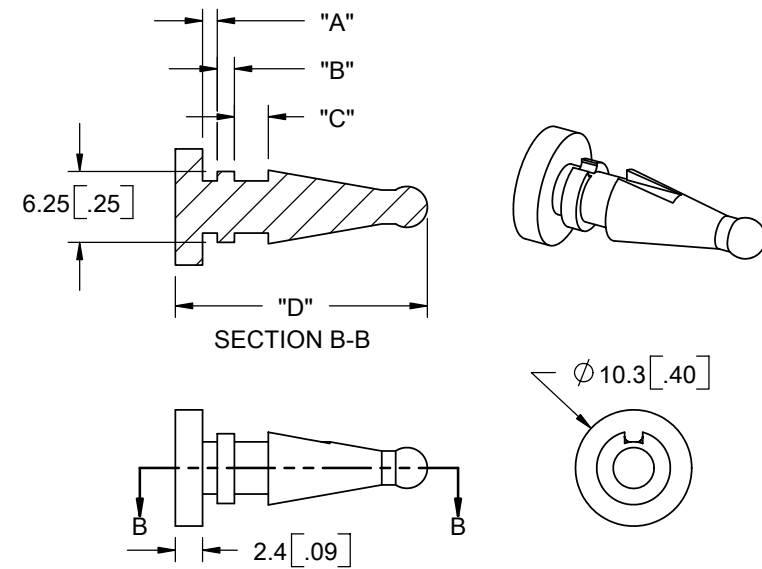


PART NO.	MATERIAL	COLOR	DIM. "A"	DIM. "B"	DIM. "C"	DIM. "D"	STYLE NO.
FM-1	EPDM RUBBER, 30 SHORE A (RMS-166)	BLACK	1.3 [.05]	1.5 [.06]	1.9 [.07]	32.3 [1.27]	1
FM-2	EPDM RUBBER, 40 SHORE A (RMS-180)	BLACK	1.3 [.05]	1.5 [.06]	1.9 [.07]	32.3 [1.27]	1
FM-3	EPDM RUBBER, 30 SHORE A (RMS-166)	BLACK	1.3 [.05]	1.5 [.06]	3 [.12]	22.2 [.88]	2
FM-4	EPDM RUBBER, 40 SHORE A (RMS-180)	BLACK	1.3 [.05]	1.5 [.06]	3 [.12]	22.2 [.88]	2
FM-5	SILICONE RUBBER, 35 SHORE A (RMS-316)	BLACK	0.7 [.03]	1.5 [.06]	18.5 [.73]	56 [2.20]	3
FM-6	SILICONE RUBBER, 35 SHORE A (RMS-316)	BLACK	2.5 [.10]	2 [.08]	14 [.55]	53.8 [2.12]	3



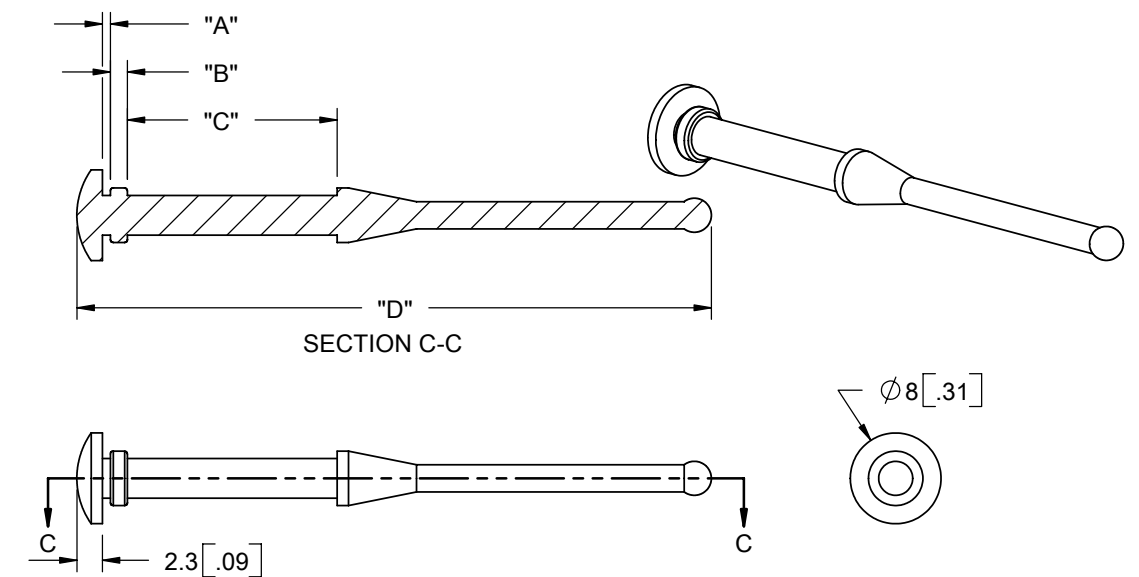
TO PULL THROUGH A 5 ± 1 [.197±.039] HOLE,
WITH MAXIMUM 1.4 [.055] PANEL AND 2 [.079] FAN THICKNESS

STYLE 1



TO PULL THROUGH A 5 ± 1 [.197±.039] HOLE,
WITH MAXIMUM 1.4 [.055] PANEL AND 3.1 [.122] FAN THICKNESS

STYLE 2



FM-5: TO PULL THROUGH A 3.5 ± 1 [.138±.039] HOLE,
WITH MAXIMUM 0.8 [.031] PANEL AND 20 ± 0.5 [.787] FAN THICKNESS.

FM-6: TO PULL THROUGH A 4.3 ± 0.2 [.161±.008] HOLE,
WITH MAXIMUM 3 [.118] PANEL AND 15 [.591] FAN THICKNESS.

STYLE 3

NOTES:
1. ALTERNATE UNITS FOR REFERENCE ONLY

REV.	DESCRIPTION	ENGR.	DATE
A	RELEASED FOR PRODUCTION, SEE ECN #1206	SK	08/11/06

TITLE: FAN MOUNT				DWG IN mm [IN]		FINAL	
CREATED USING SOLIDWORKS	FILE #: FM-X	DWN: SK	APP: SK	FINAL			
TOLERANCES UNLESS NOTED 0-10=±0.1 10.01-30=±0.3 30.01-50=±0.5 ANG.=±1°	SHEET: 1 OF 1	SHEET SIZE: B	DT: 08/11/06	CHKD: SJ	PART #		PRINT TYPE
RE: RICHCO, INC.		RICHCO, INC. ENG@RICHCO-INC.COM (773) 539-4060		SEE TABLE		CA	